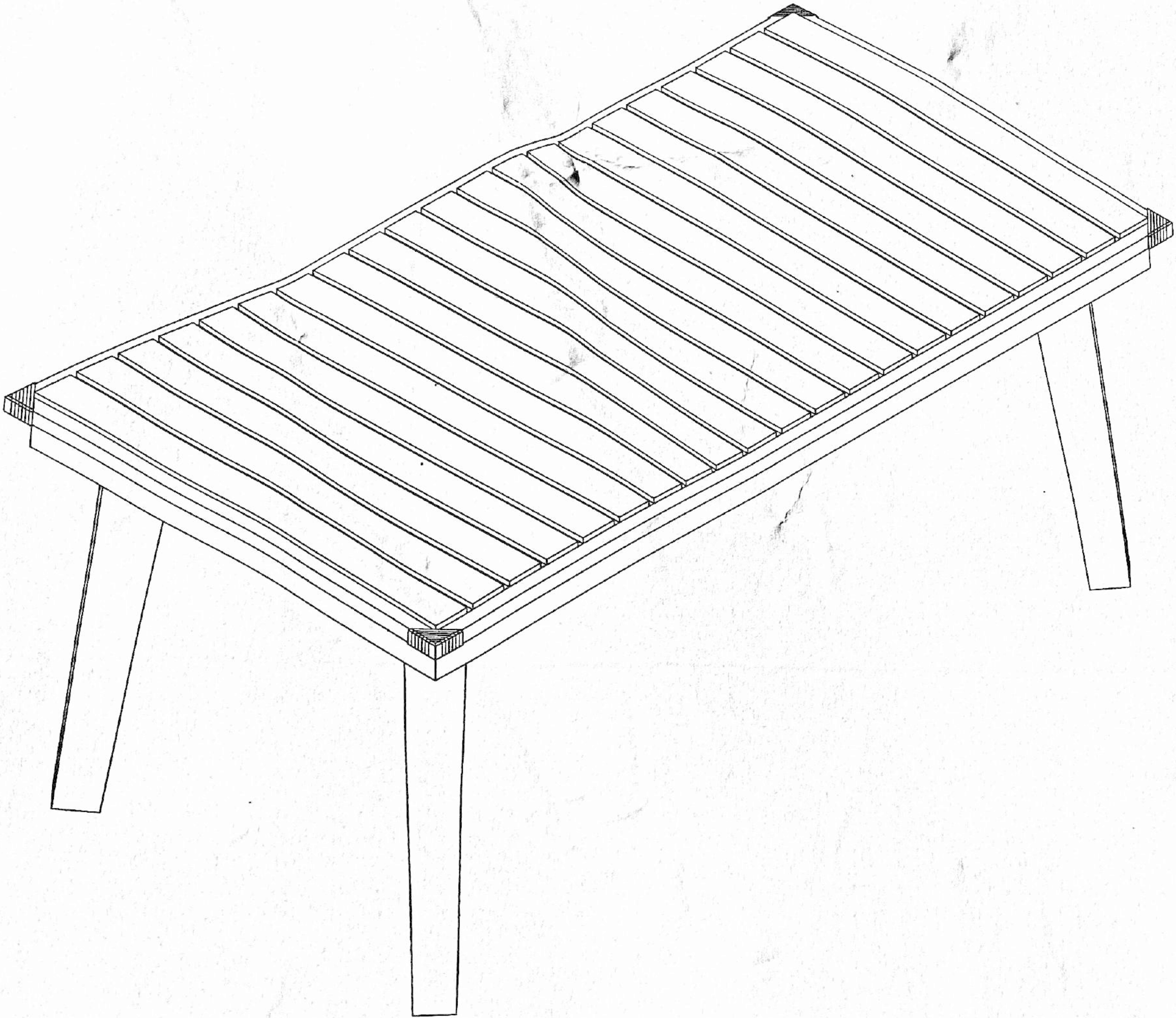


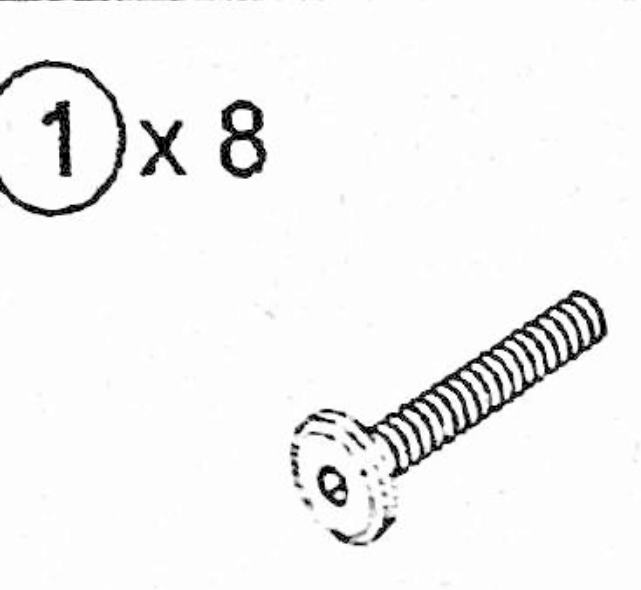
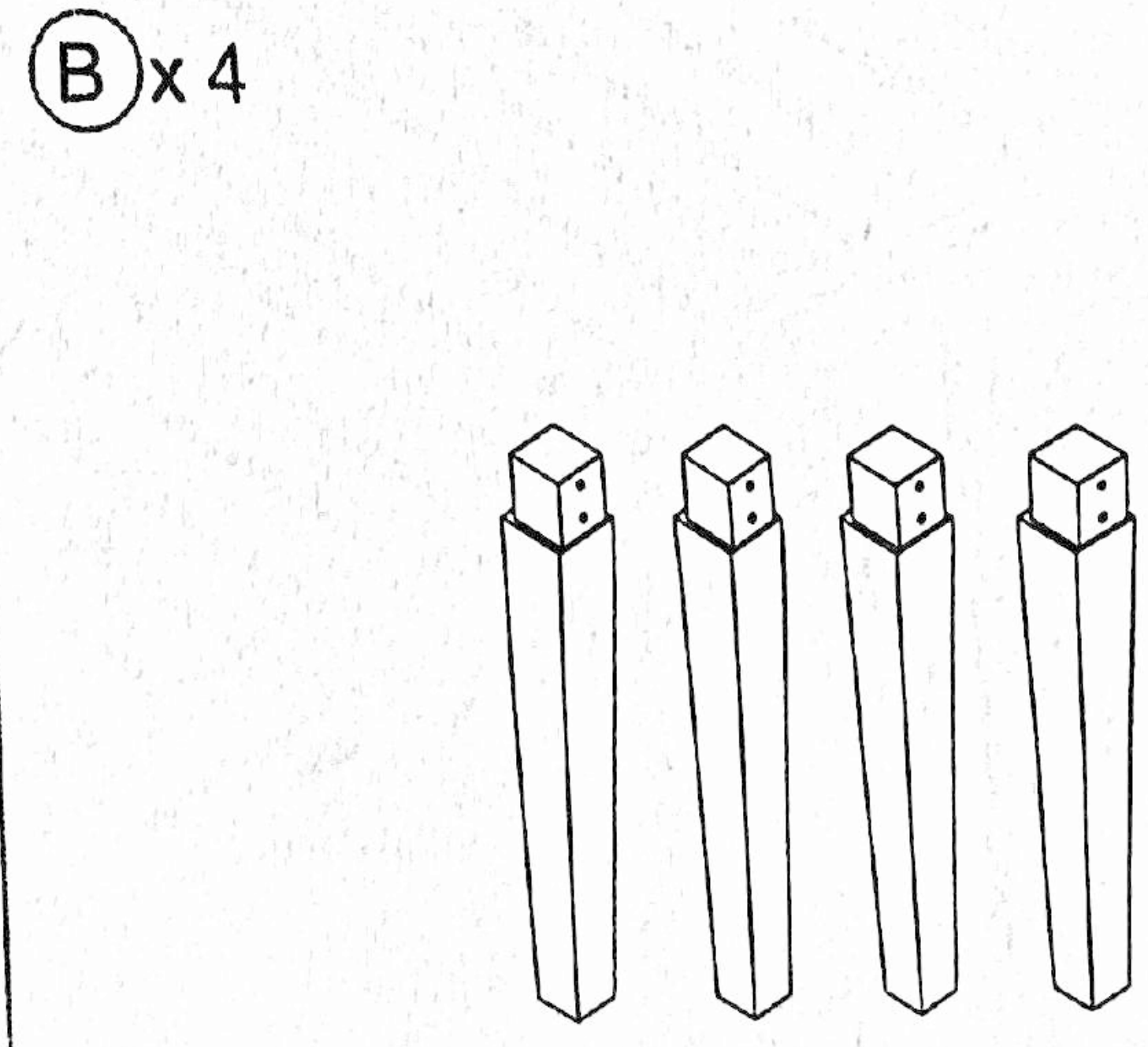
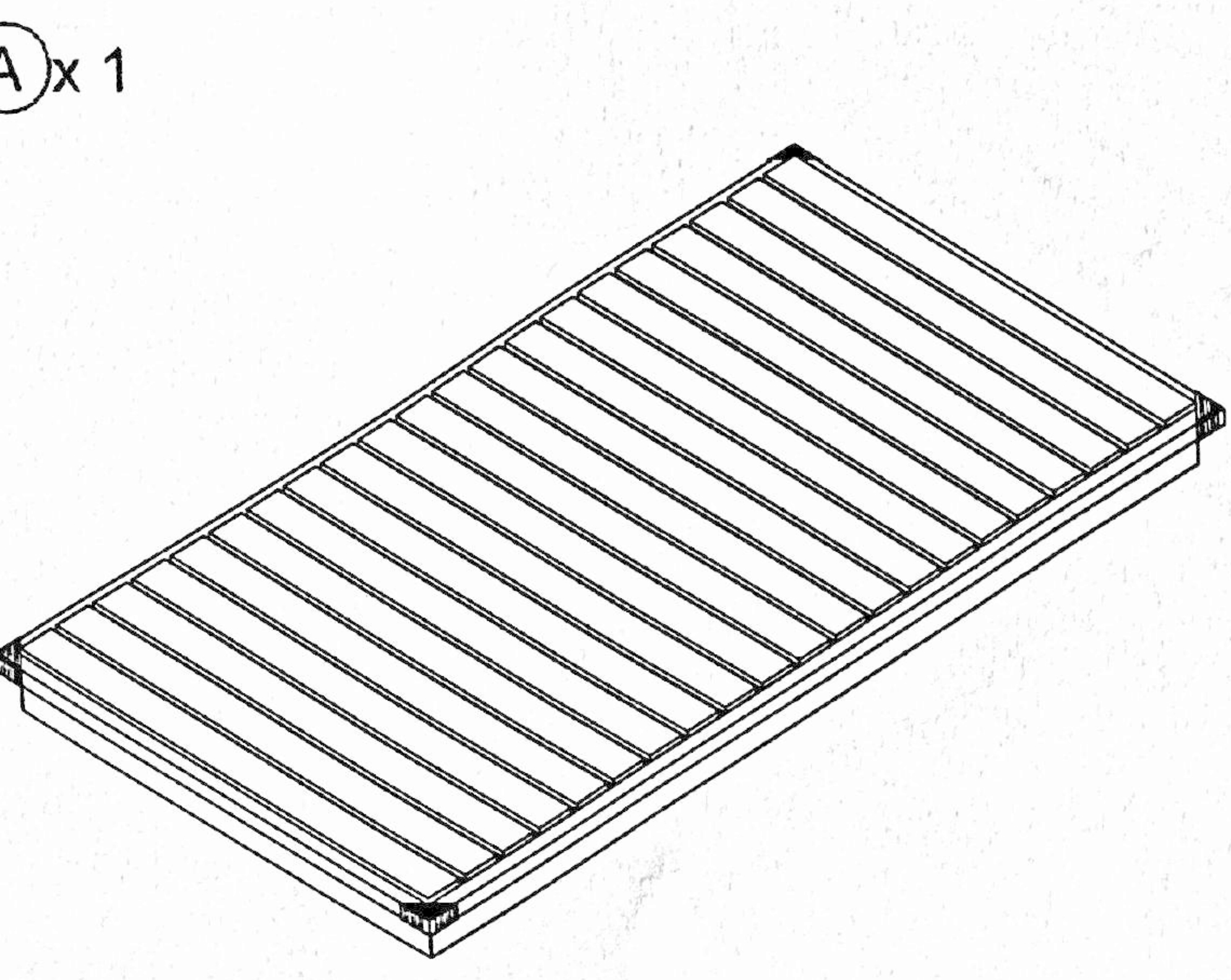
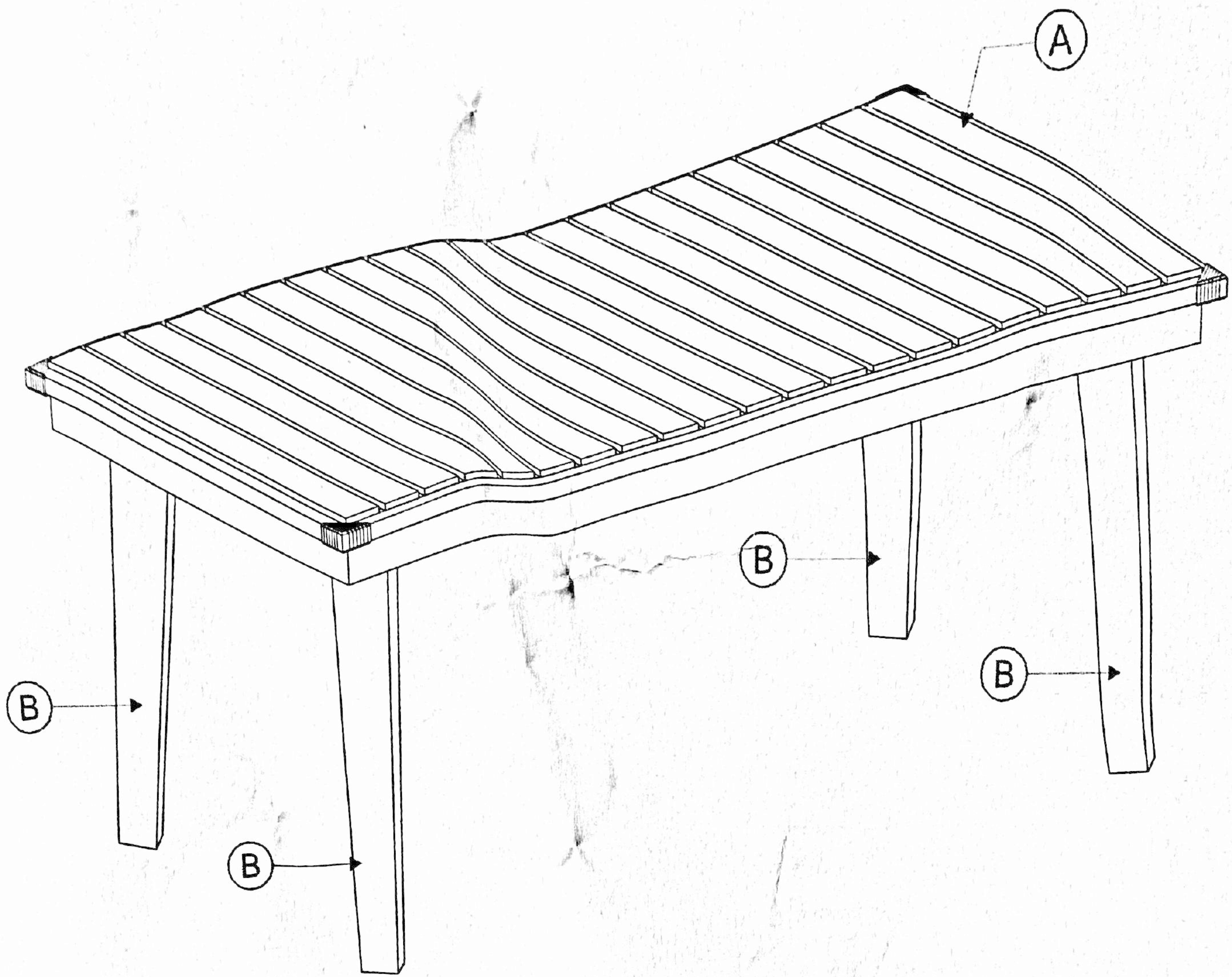




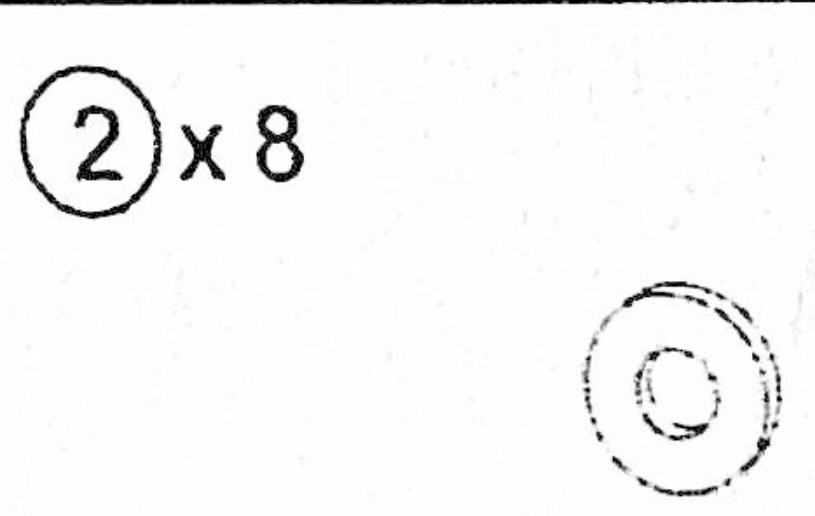
X2



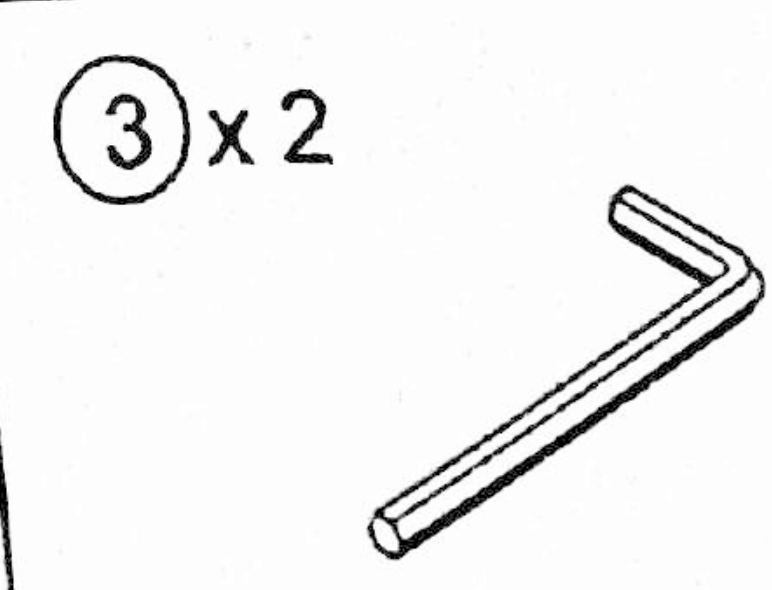




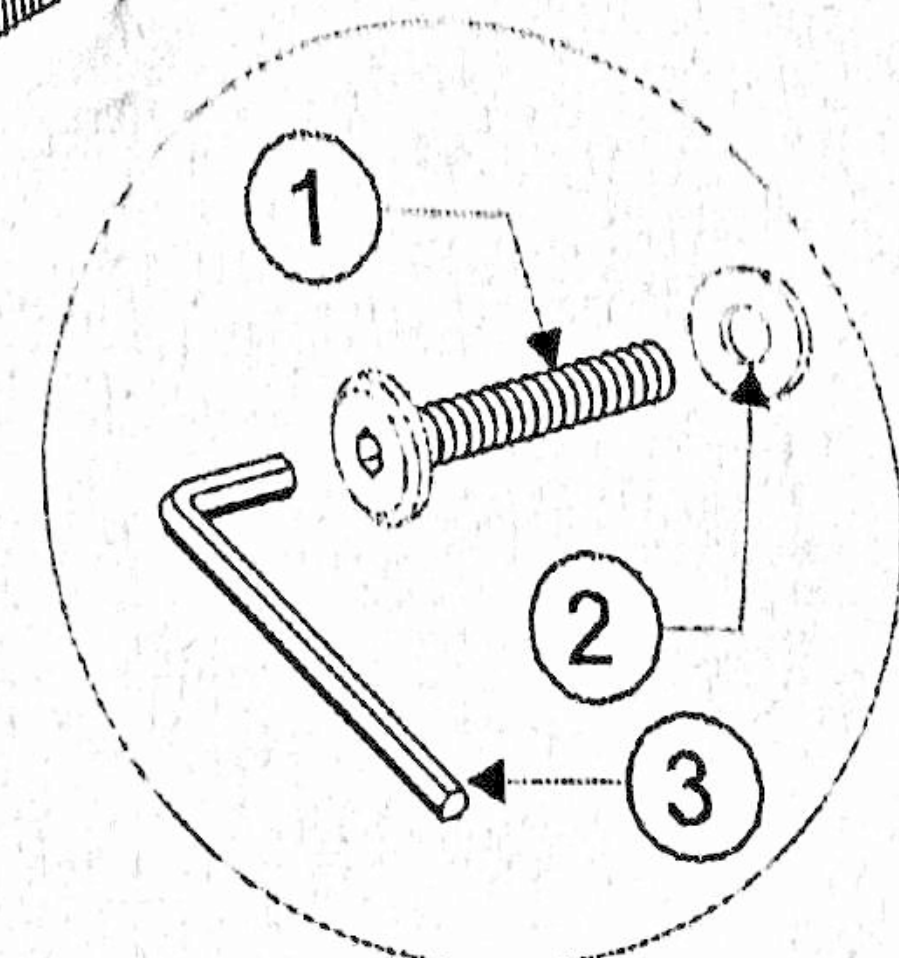
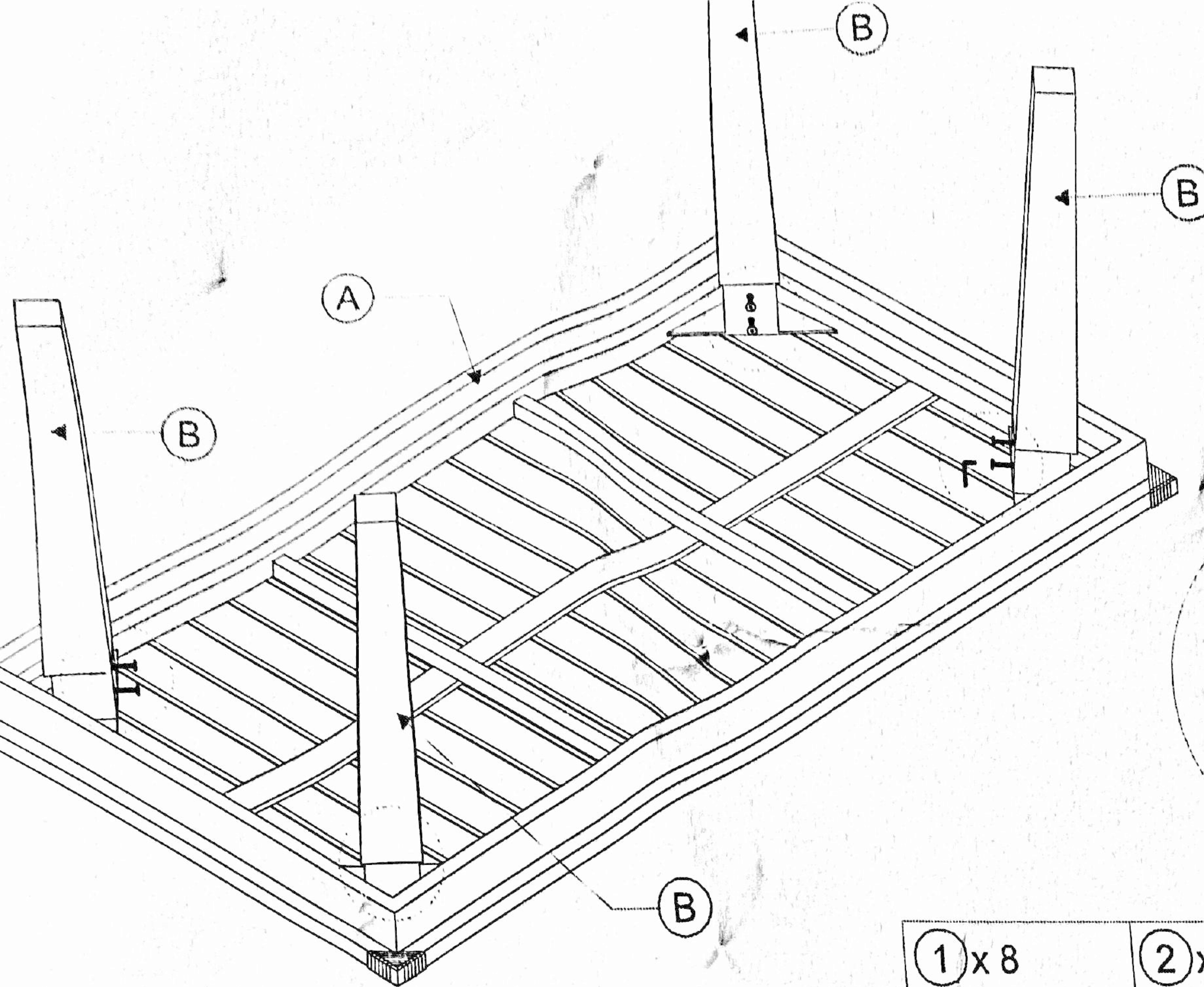
M6x40

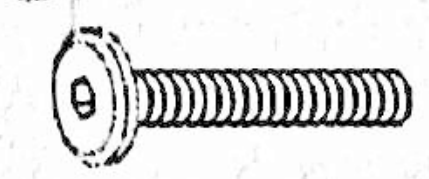

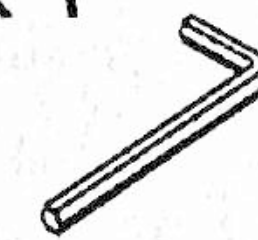


M6





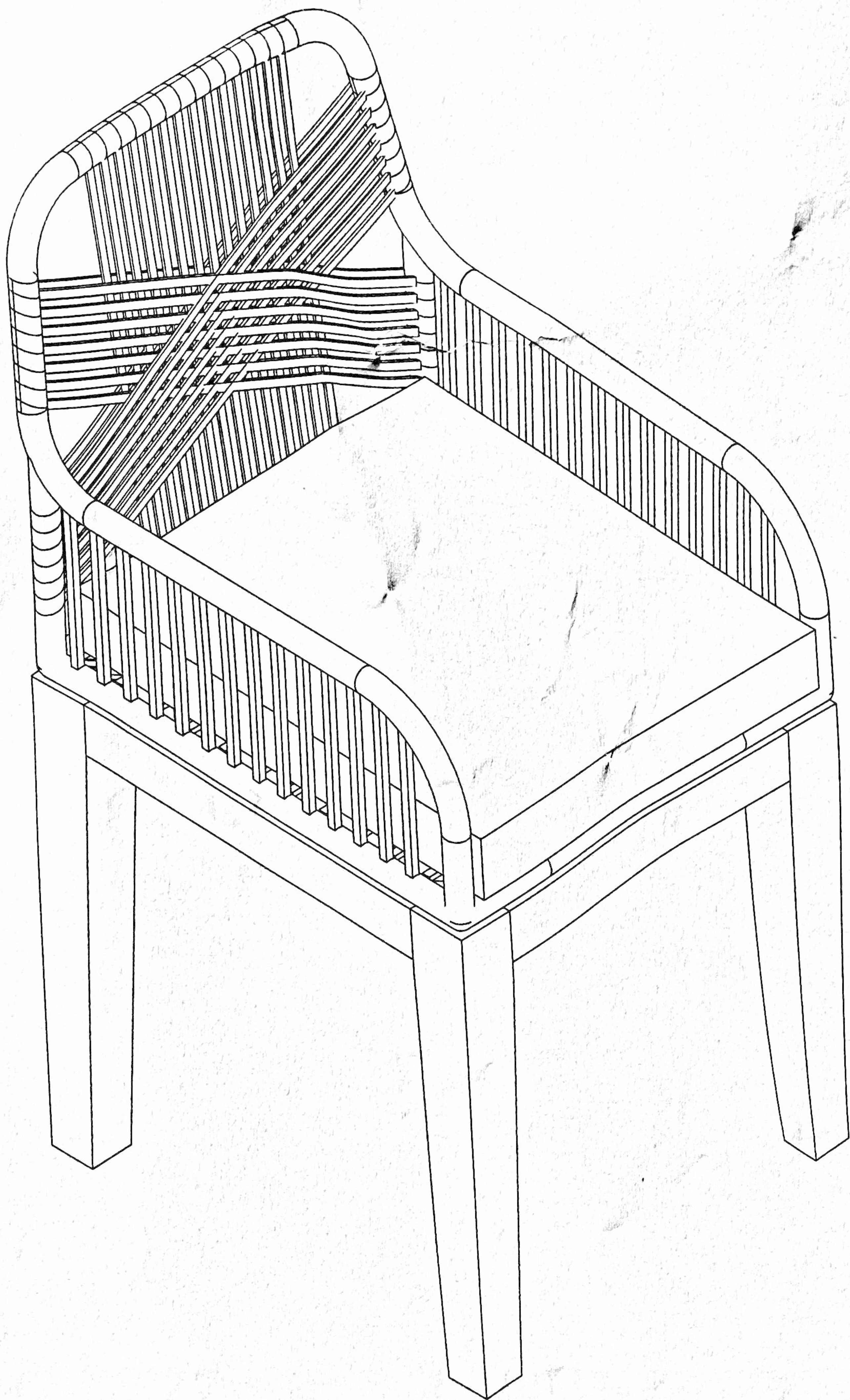


<p>① x 8</p>  <p>M6x40</p>	<p>② x 8</p>  <p>M6</p>	<p>③ x 1</p> 
---	--	--

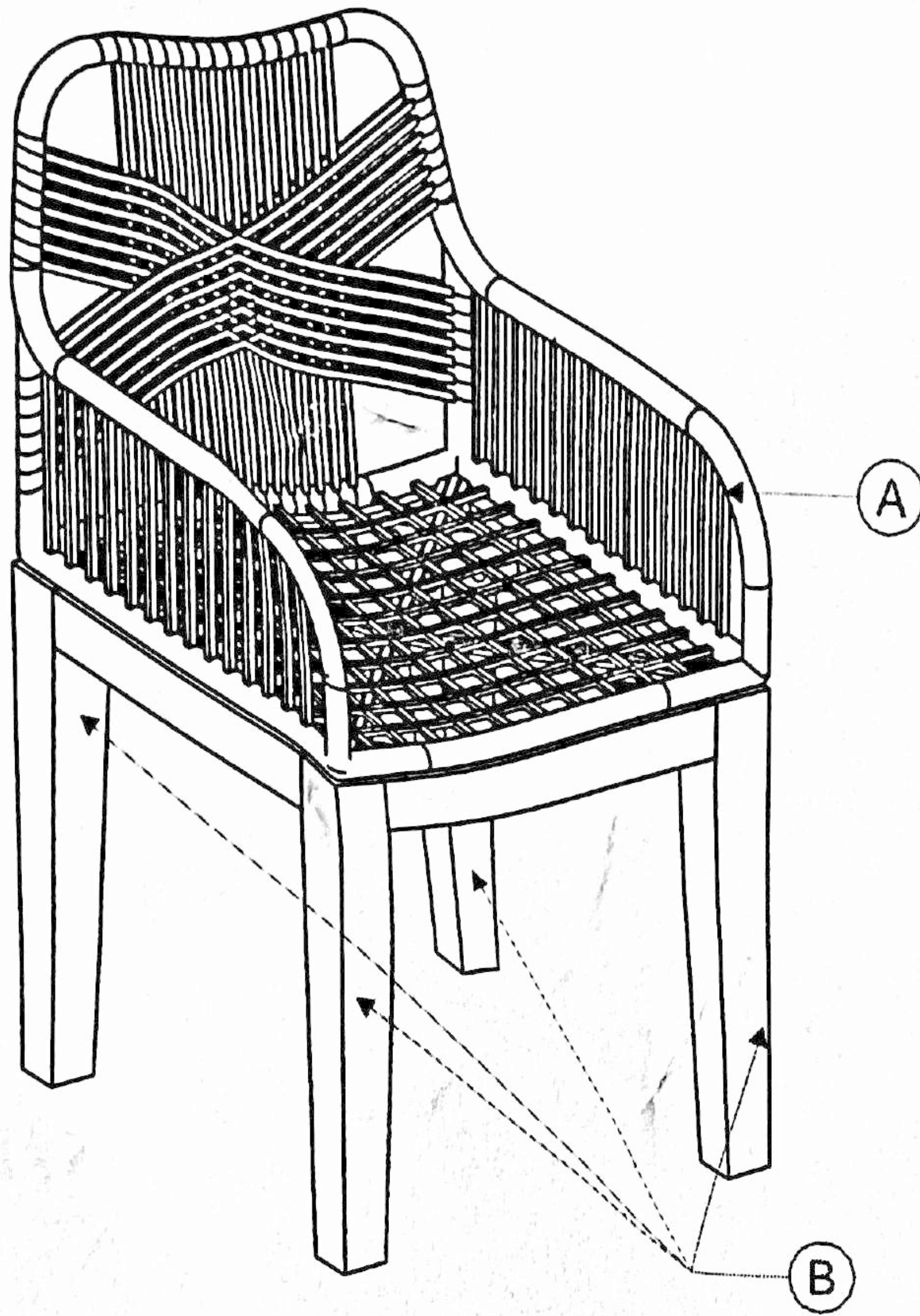
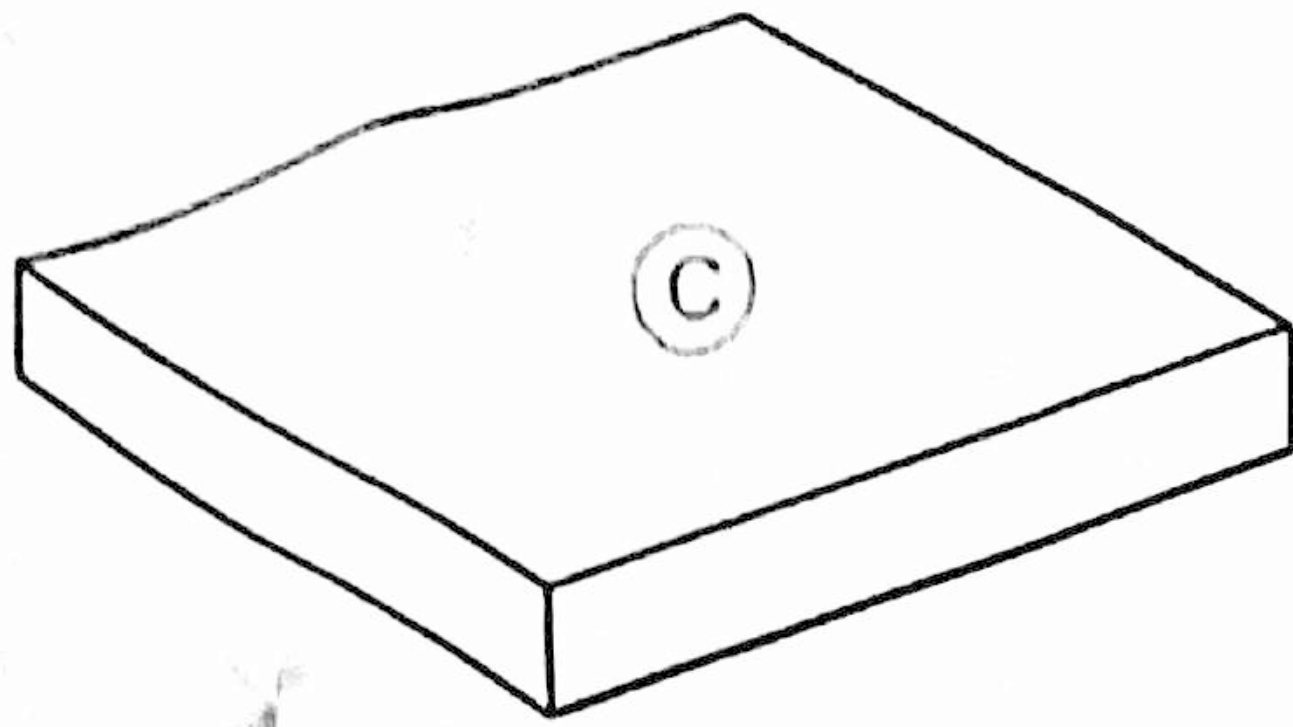




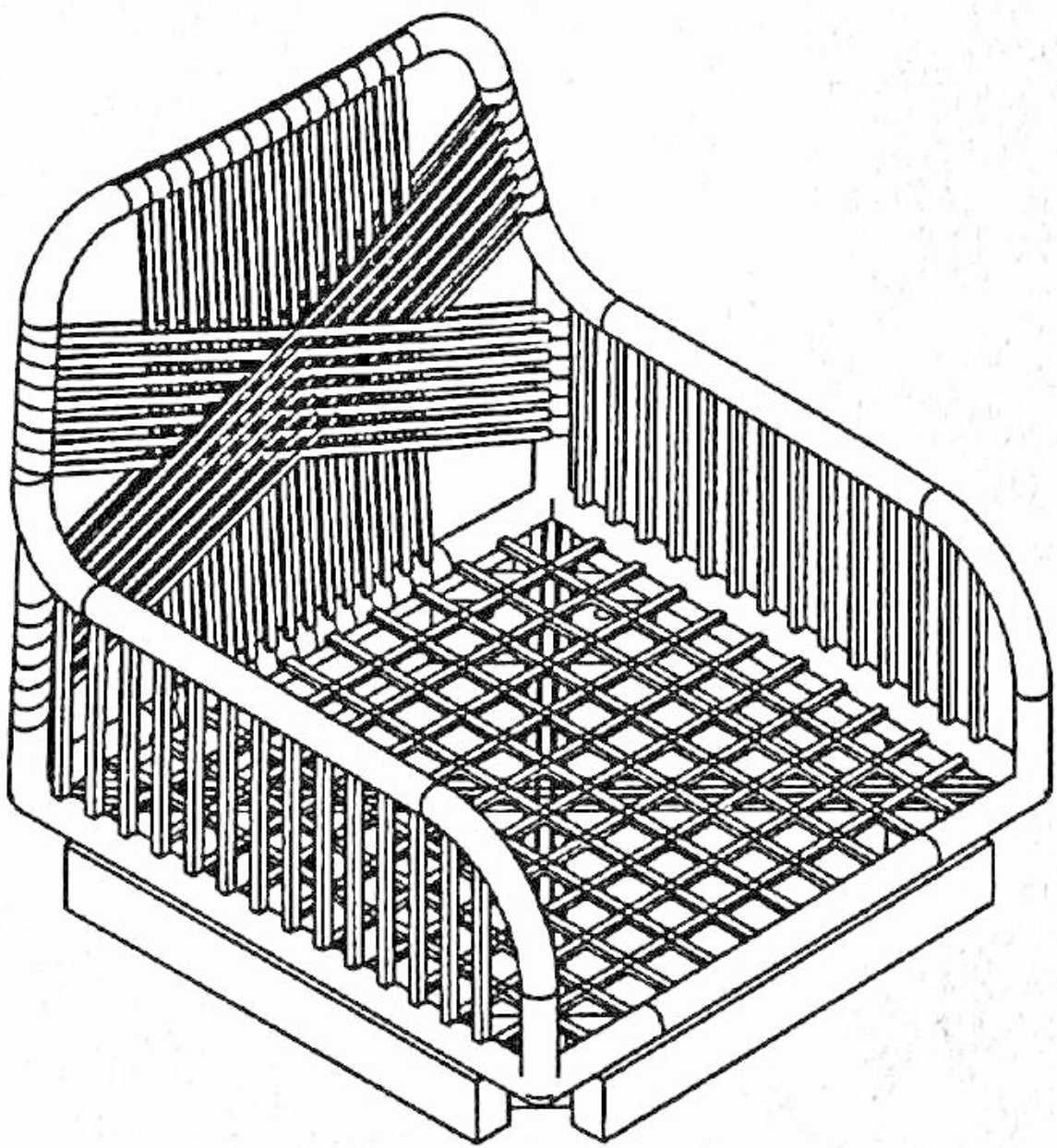
X2



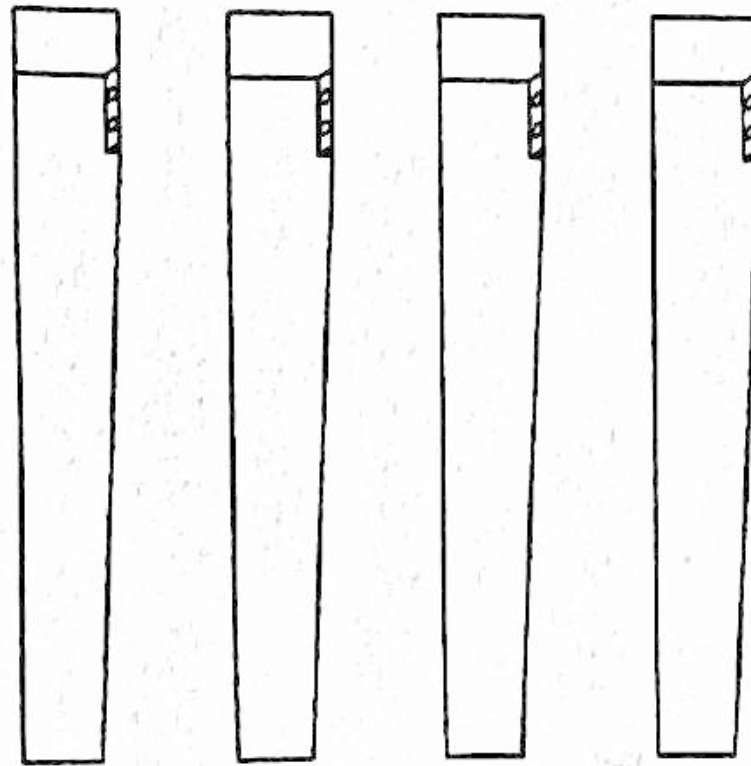




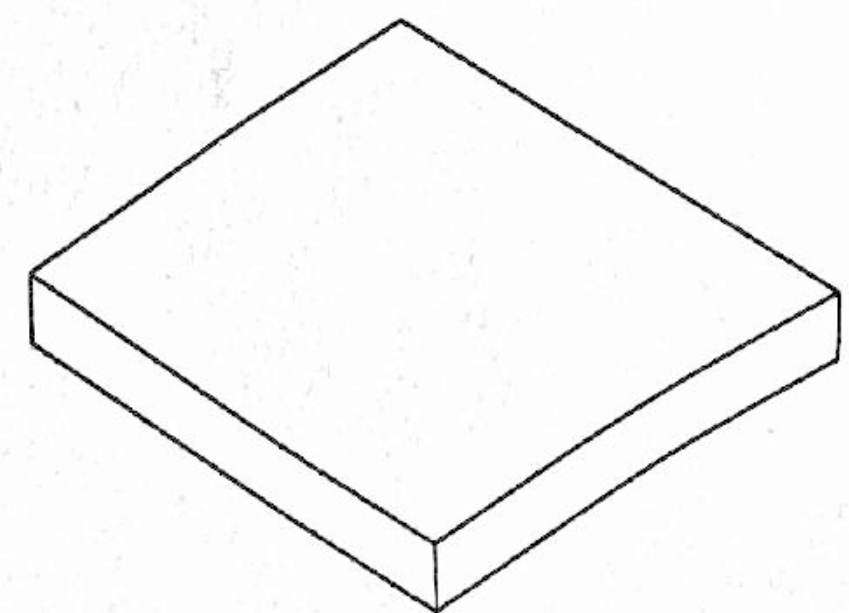
(A) x 1



(B) x 4



(C) x 1



(1) x 8



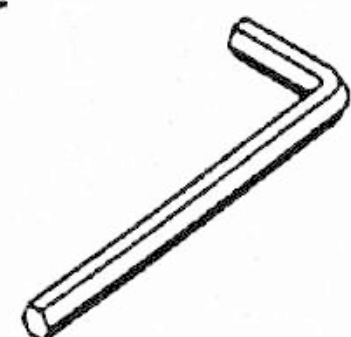
M6x60

(2) x 8



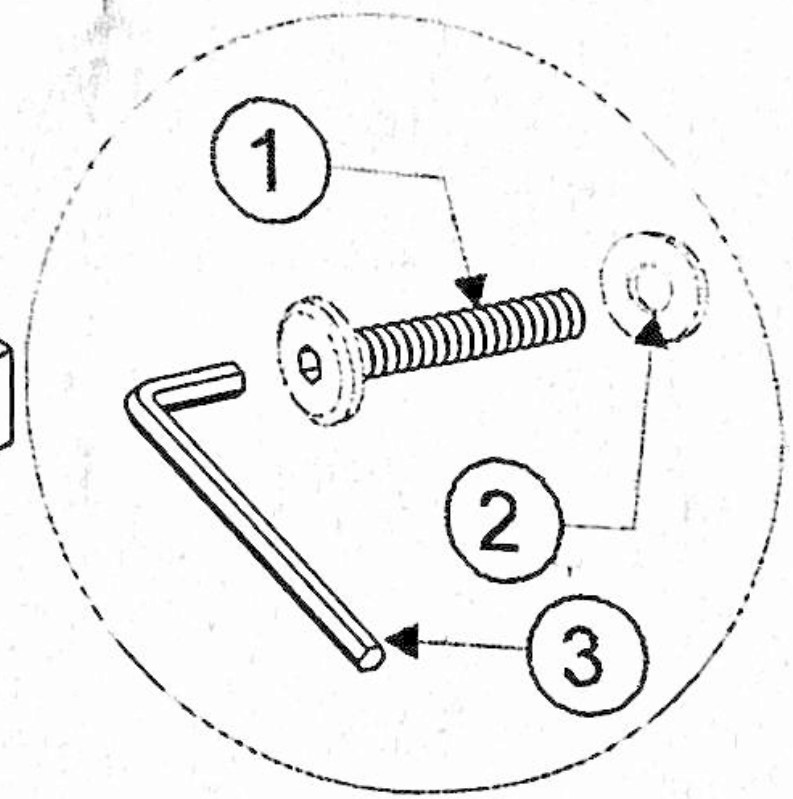
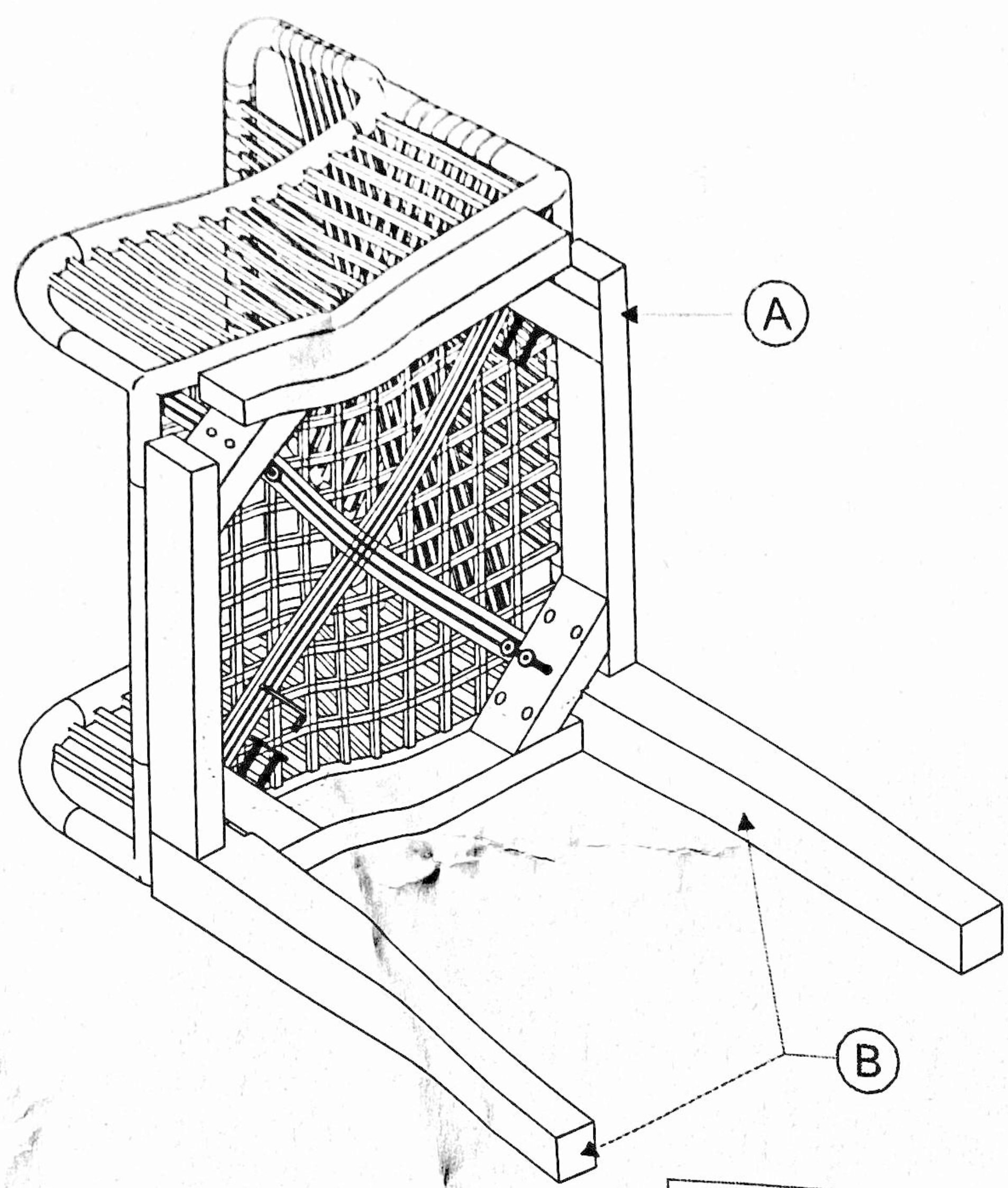
M6




(3) x 2



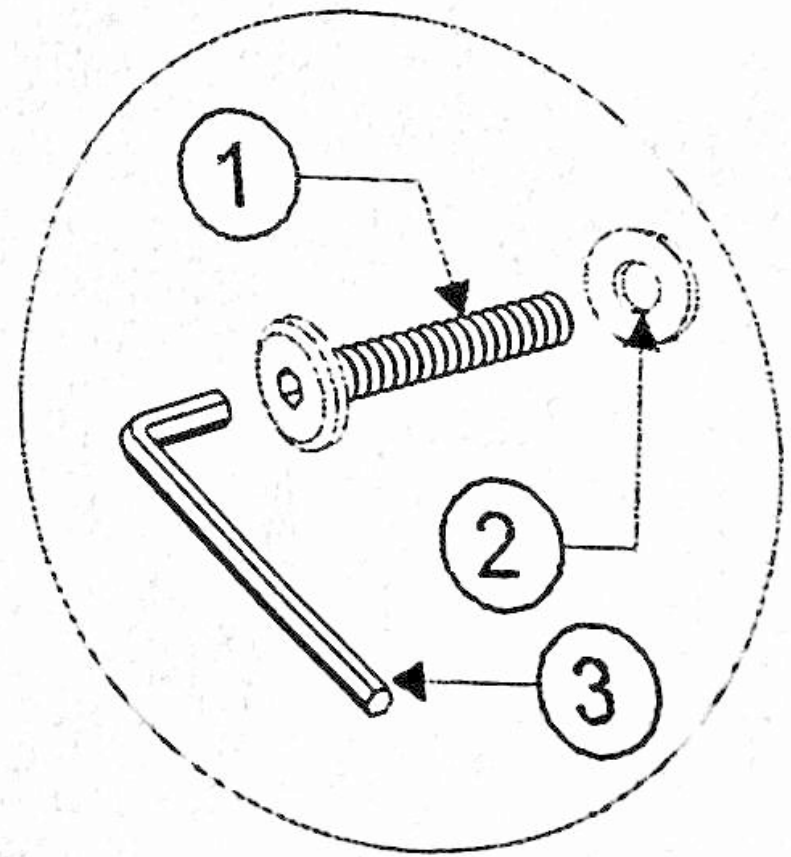
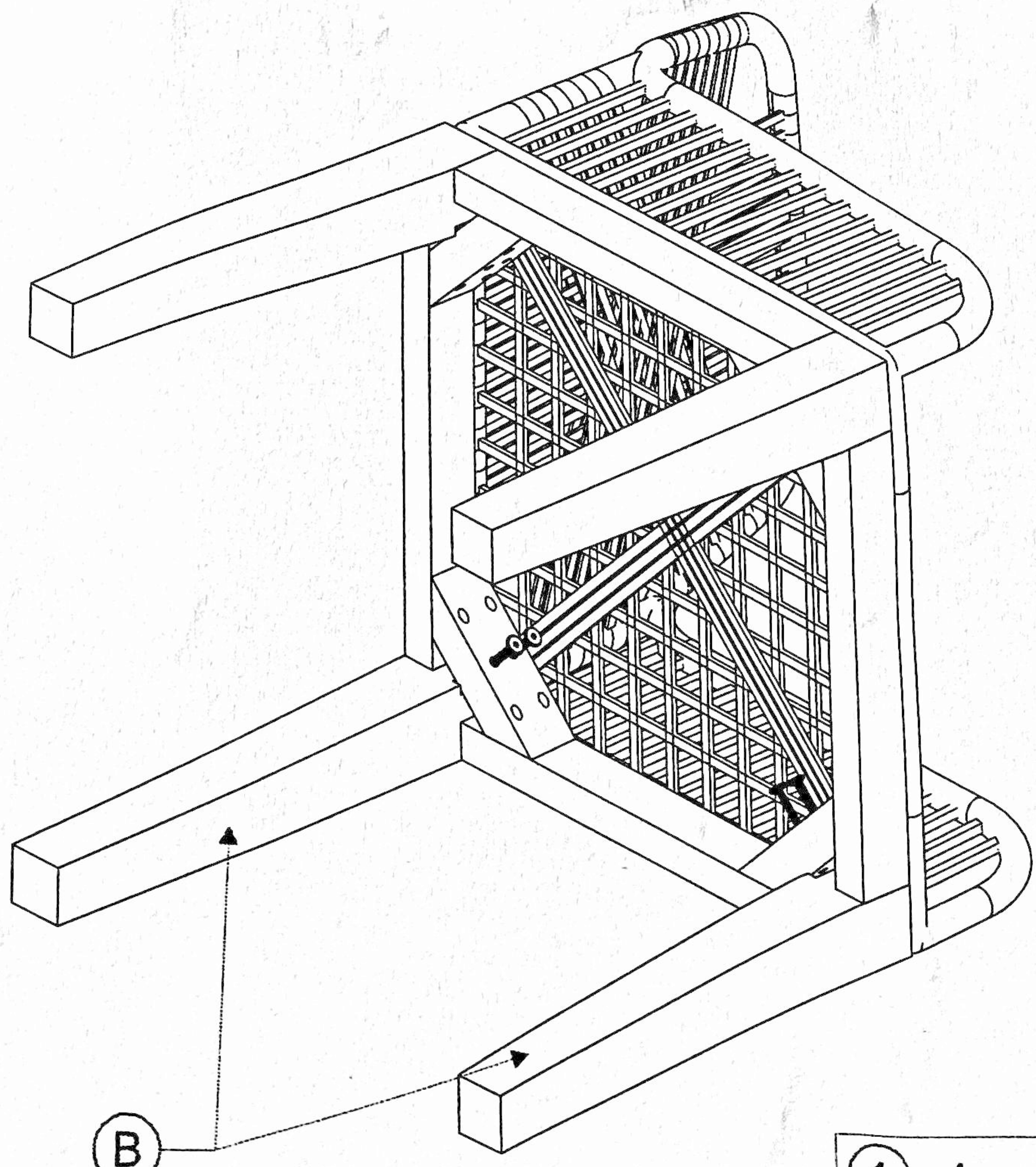


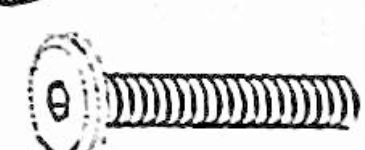

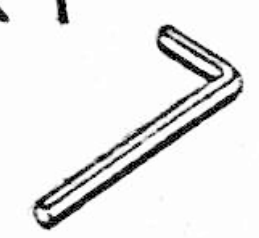
1



① x 4	② x 4	③ x 1
		
M6x60	M6	

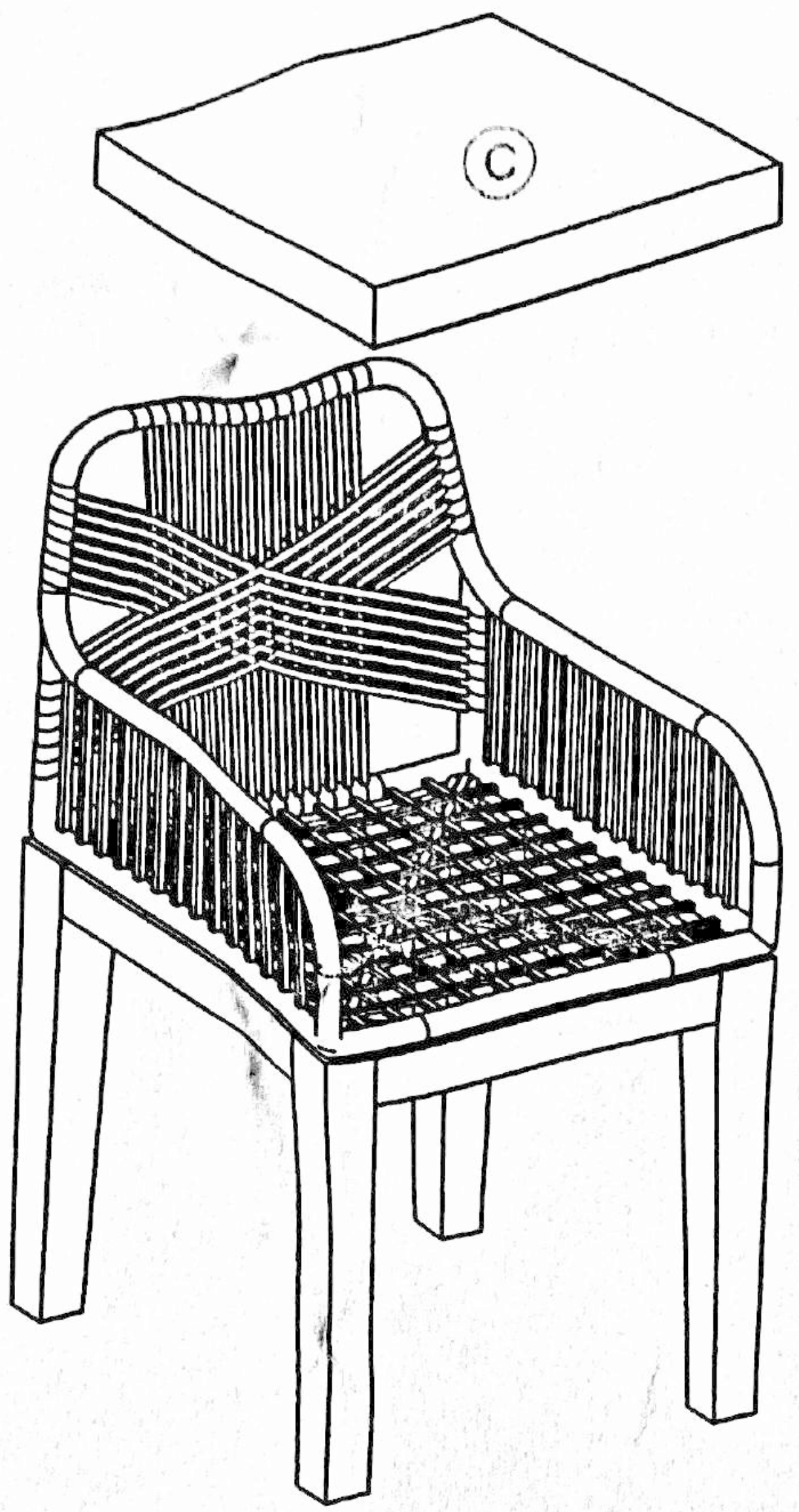
2



① x 4	② x 4	③ x 1
		
M6x60	M6	



3



4

